



# PERFECT SCORE TECHNOLOGIES

4012 Bronze Way  
 Phone (214) 331-0002  
 Email: info@pstmfg.com

Dallas, Texas 75237  
 Fax (214) 331-0013  
 Web: <http://www.pstmfg.com>

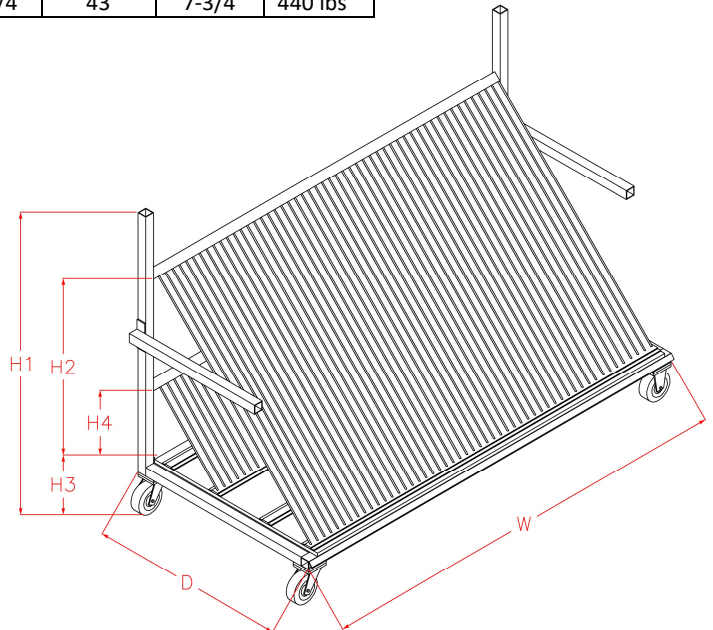
## L Frame Double String - IG Racks

Typical Use: IG Glass Storages (wide slots)  
 Mobile – on casters

- steel framing, fully welded
- HDPE Wear Strips over wood decking
- working payload 2,000 lbs
- thermoplastic non-scratch rod covers
- 5/16 steel rods
- wood top stop
- mobile with 6 casters, (2-rigid, 2-swivel w/ locks)
- paint selection (PST green or safety blue)
- custom color fee applies to special request



MODEL	SLOTS	SLOT WIDTH	FRAME WIDTH	FRAME DEPTH	HT (1)	HT (2)	HT (3)	SHIP WEIGHT
IG-2	25	1-1/16	45.00	40	62-3/4	43	7-3/4	290 lbs
IG-3	40	1-1/16	65.50	40	62-3/4	43	7-3/4	360 lbs
IG-5	50	1-1/16	80.50	40	62-3/4	43	7-3/4	400 lbs
IG-6	55	1-1/16	87.00	40	62-3/4	43	7-3/4	425 lbs
IG-7	60	1-1/16	95.25	40	62-3/4	43	7-3/4	440 lbs
IG-8	25	2-5/8	80.50	40	62-3/4	43	7-3/4	385 lbs
IG-9	25	1-1/4	48.00	40	62-3/4	43	7-3/4	290 lbs
IG-10	40	1-3/4	100.00	40	62-3/4	43	7-3/4	440 lbs



### Shipping - LTL

Racks ship with rods and casters packaged atop decking.  
 Up to 5 racks can be nested together reducing transit expenses.  
 Upon arrival customer inserts rods and bolts on casters.

## L-Frame - Harp Racks

Typical Use: Residential Glass

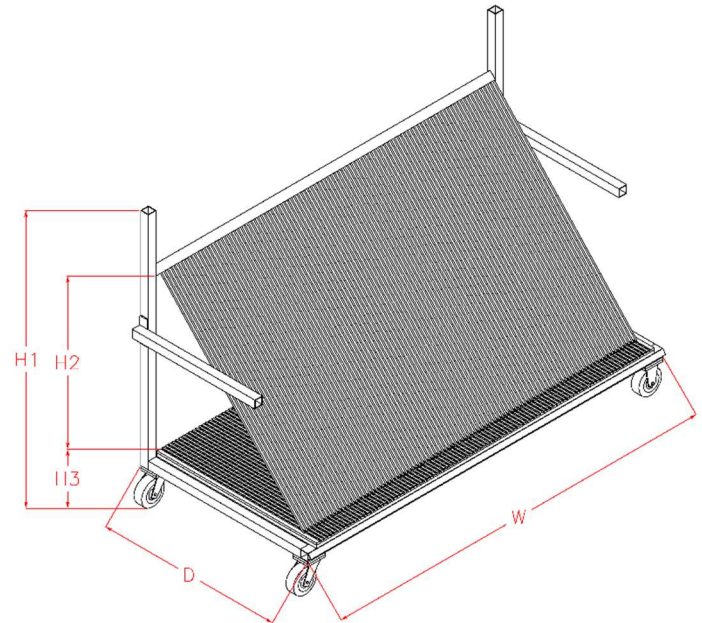
Mobile – on casters

- steel framing, fully welded
- HDPE ½ decking, fully routed slots
- working payload 2,000 lbs
- thermoplastic non-scratch rod covers
- 5/16 steel rods
- wood top stop
- mobile with 6 casters, (2-rigid, 2-swivel w/ locks)
- engraved slot number plates
- paint selection (PST green or safety blue)
- custom color fee applies to special request



MODEL	SLOTS	SLOT WIDTH	FRAME WIDTH	FRAME DEPTH	HT (1)	HT (2)	HT (3)	SHIP WEIGHT
LF-HR-1	100	7/16	94	44	65-5/8	38-1/2	7-3/4	500 lbs
LF-HR-1 EXT	100	1/2	107	44	65-5/8	38-1/2	7-3/4	530 lbs
LF-HR-4	80	7/16	76	44	65-5/8	38-1/2	7-3/4	490 lbs
LF-HR-6	50	7/16	50	32	54	32	7-3/4	380 lbs
LF-HR-17	60	3/8	58	47	54	32	7-3/4	415 lbs
LF-HR-18	60	5/8	72	47	65-5/8	38-1/2	7-3/4	460 lbs
LF-HR-19	75	1/2	81	36	58-5/8	38-1/2	7-3/4	485 lbs

ROUTED SLOTS



Shipping - LTL

Racks ship with rods and casters packaged atop decking.

Up to 5 racks can be nested together reducing transit expenses.

Upon arrival customer inserts rods and bolts on casters.

## L Frame Double String - Harp Racks

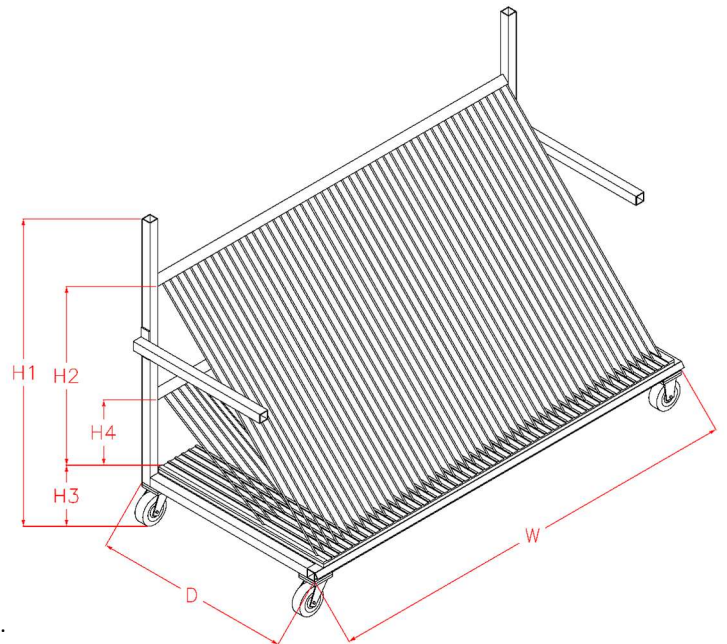
Typical Use: Large & Small Residential Lites  
 Mobile – on casters

- steel framing, fully welded
- HDPE ½ decking, fully routed slots
- working payload 2,000 lbs
- thermoplastic non-scratch rod covers
- 5/16 steel rods
- wood top stop
- mobile with 6 casters, (2-rigid, 2-swivel w/ locks)
- engraved slot number plates
- paint selection (PST green or safety blue)
- custom color fee applies to special request



Same construction as the L-Frame Harp Rack with the addition of lower-level string for small glass lites.

MODEL	SLOTS	SLOT WIDTH	FRAME WIDTH	FRAME DEPTH	HT (1)	HT (2)	HT (3)	HT (4)	SHIP WEIGHT
LF-HR-2-DS	100	7/16	93-5/16	47	65-5/8	38-1/2	7-3/4	17-3/4	500 lbs
LF-HR-3-DS	100	9/16	93-5/16	47	79	58	7-3/4	19	530 lbs
LF-HR-22-DS	40	5/8	55	38	62-3/4	46	7-3/4	17-1/2	380 lbs
LF-HR-24-DS	60	5/8	61	42		50	7-3/4		415 lbs
LF-HR-GD-DS	55+5	50 - 5/8 5 - 1.125	65	47		40	7-3/4		460 lbs



### Shipping - LTL

Racks ship with rods and casters packaged atop decking.  
 Up to 5 racks can be nested together reducing transit expenses.  
 Upon arrival customer inserts rods and bolts on casters.

## Large Plate Glass - Harp Racks

Typical Use: Large & Long Plate Glass

Stationary – not mobile

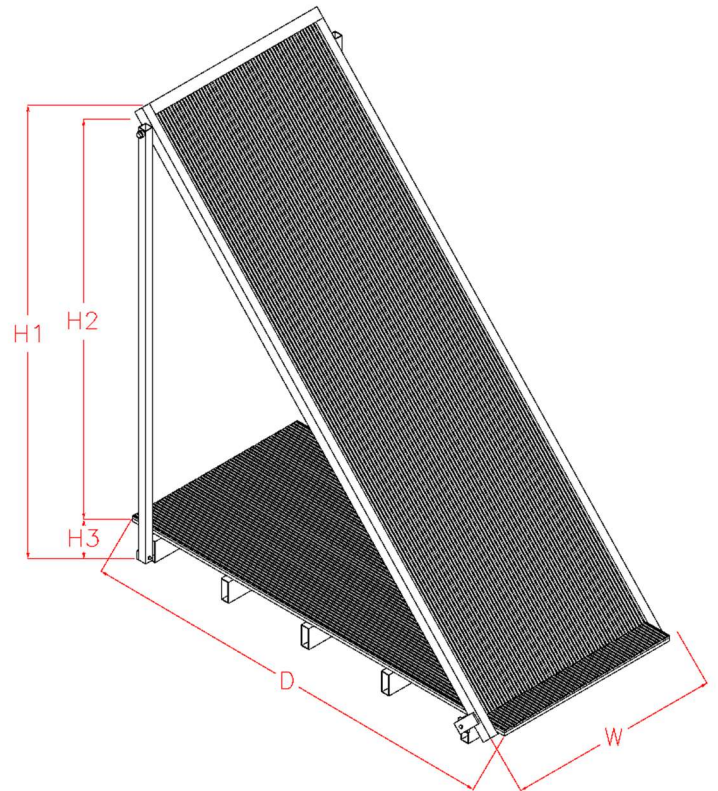
- lower & upper steel frames, fully welded
- upper folds down for shipping
- lower deck fully open for extended glass lengths
- frame height designed to accept 96 glass heights
- rated for 3/8 glass plate
- PVC 1/2 decking, fully routed slots
- thermoplastic non-scratch rod covers
- 1/4 steel rods thread tensioned
- stationary rack with floor support beams
- paint selection (PST green or safety blue)
- custom color fee applies to special request



MODEL	SLOTS	SLOT WIDTH	FRAME WIDTH	FRAME DEPTH	HT (1)	HT (2)	HT (3)	Payload	SHIP WEIGHT
LP-HR-7	40	7/16	102	41	107-3/8	97	6-5/16	20,000 lbs	725 lbs
LP-HR-8	60	7/16	102	54	107-3/8	97	6-5/16	20,000 lbs	895 LBS

## Heavy Duty Option

- High-capacity casters and framing upgrades
- Increased static payload rating
- Mobile payload remains limited to standard payload



Shipping – Pallet LTL

Rack upper frame folds down to ship.

Racks can be double stacked for efficient transit expense.

Upon arrival customer connects vertical support beam.

## Plate Glass - Harp Racks

Typical Use: Plate Glass

Mobile – on casters

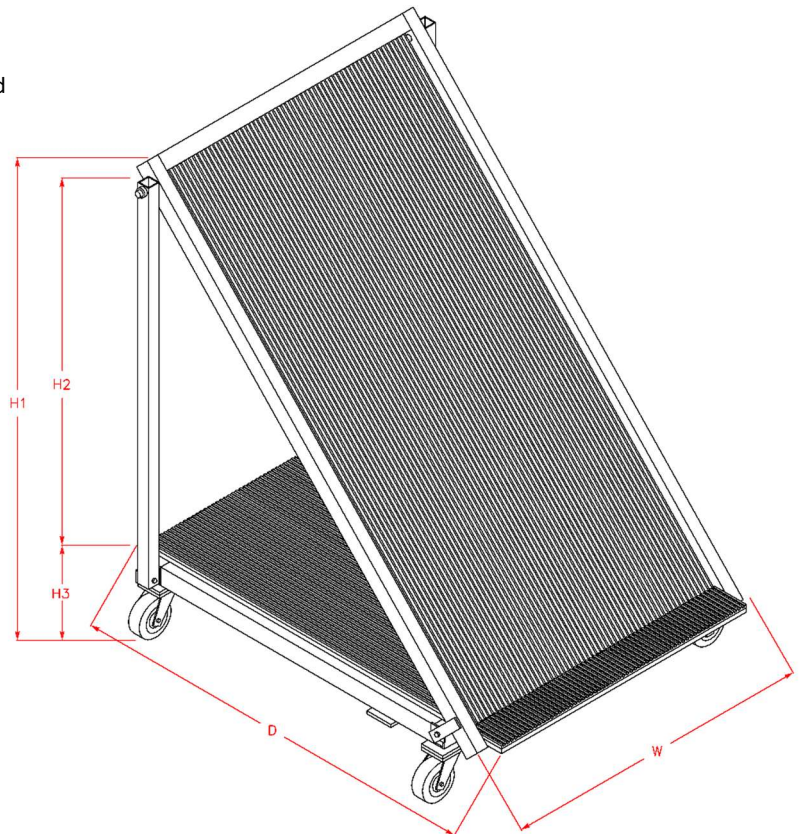
- lower & upper steel frames, fully welded
- upper frame folds for shipping
- lower deck accepts extended glass lengths
- PVC ½ decking, fully routed slots
- thermoplastic non-scratch rod covers
- 1/4 steel rods thread tensioned
- mobile with 6 casters, (2-rigid, 2-swivel w/ locks)
- paint selection (PST green or safety blue)
- custom color fee applies to special request
- optional floor locks available in place of swivel locks



MODEL	SLOTS	SLOT WIDTH	FRAME WIDTH	FRAME DEPTH	HT (1)	HT (2)	HT (3)	Casters	Payload	SHIP WEIGHT
PG-HR-9	60	7/16	54-1/2	65	76-1/8	60-3/8	11-3/4	6	3500 lbs	880 lbs
PG-HR-11	60	7/16	54-1/2	102	103	92	11-3/4	6	3500 lbs	1080 lbs
PG-HR-9B	52	9/16	54-1/2	65	88-1/2	72-3/8	11-3/4	6	3500 lbs	930 lbs

## Heavy Duty Option

- High-capacity casters and framing upgrades
- Increased static payload rating
- Mobile payload remains limited to standard payload



Shipping – Pallet LTL

Rack upper frame folds down to ship.

Racks can be double stacked for efficient transit expense.

Upon arrival customer connects vertical support beam.

## Plate Glass Mid Frame - Harp Racks

Typical Use: Plate Glass requiring added rack support  
 Mobile – on casters

Center framing support increases rack rigidity for heavy plate glass.

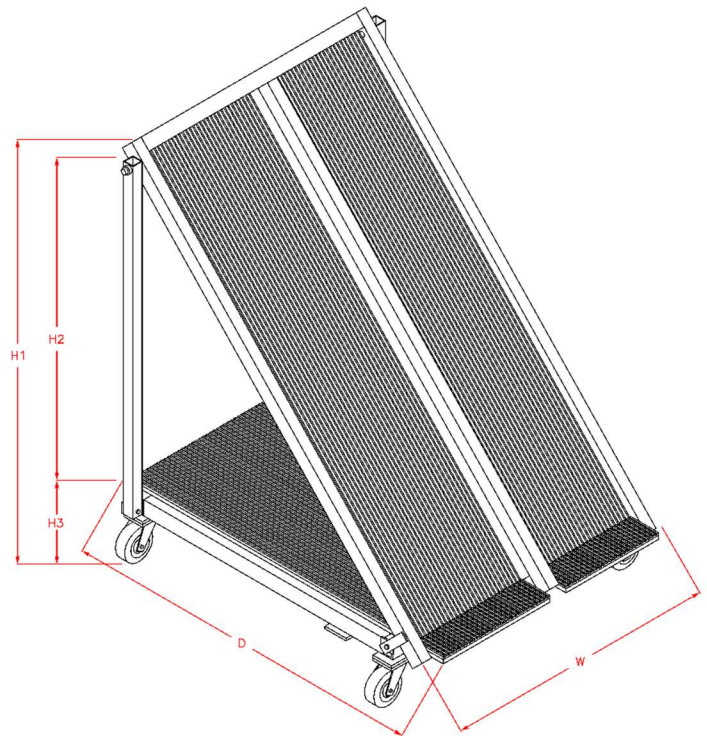
- lower & upper steel frames, fully welded
- upper frame folds for shipping
- lower deck accepts extended glass lengths
- PVC ½ decking, fully routed slots
- thermoplastic non-scratch rod covers
- 1/4 steel rods thread tensioned
- mobile with 6 casters, (2-rigid, 2-swivel w/ locks)
- paint selection (PST green or safety blue)
- custom color fee applies to special request
- optional floor locks available in place of swivel locks



MODEL	SLOTS	SLOT WIDTH	FRAME WIDTH	FRAME DEPTH	HT (1)	HT (2)	HT (3)	Casters	Payload	SHIP WEIGHT
PGMF-HR-12A	50	7/16	57-1/2	66	84	68	11-3/4	6	3500 lbs	940 lbs
PGMF-HR-13A	50	3/8	54-1/2	108	94	78	11-3/4	6	3500 lbs	1130 lbs

### Heavy Duty Option

- High-capacity casters and framing upgrades
- Increased static payload rating
- Mobile payload remains limited to standard payload



Shipping – Pallet LTL

Rack upper frame folds down to ship.  
 Racks can be double stacked for efficient transit expense.  
 Upon arrival customer connects vertical support beam.

## OEM Universal Returnable Glass Racks

Typical Use: supports loose or glass packs  
Stationary – compatible with freefall bases

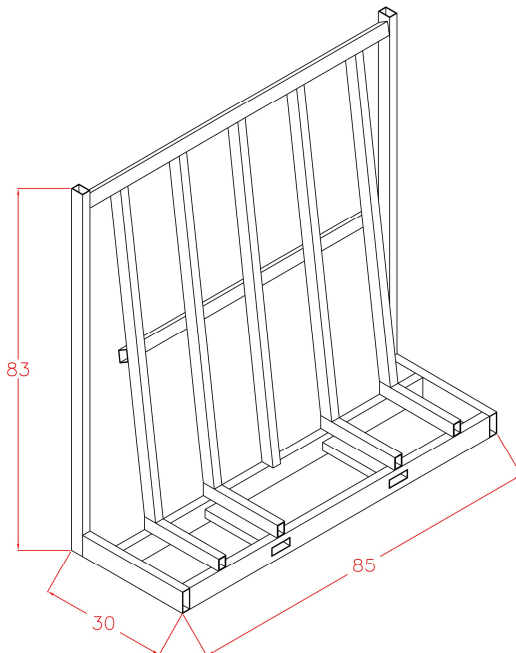
### Model S-RK/FF

- Maximum glass sheet sizing – 96 x 144
- Returnable rack max load – 6000 lbs
- Designed for freefall operations
- Heavy wall tubular steel, fully welded construction
- Rubber padded for glass edge contact
- Supports glass case or stoce packs
- Built in fork-lift hoops



### Model FFB

- Freefall Base sold separately
- Fits all major glass manufacturers returnable racks.



## A-Frame Glass Storage - Model 202

Typical Use: various glass sheets

Mobile – on casters

- standard model 2000 lb payload
- heavy duty model 4000 lb payload
- cart lengths available 6 ft, 8 ft, 10 ft
- decking ¾ AC grade plywood
- vertical slats 1 x 4 yellow pine
- steel construction, fully welded
- design payload 2000 lbs
- mobile with 6 casters, (2-rigid, 2-swivel w/ locks)
- paint selection (PST green or safety blue)
- custom color fee applies to special request

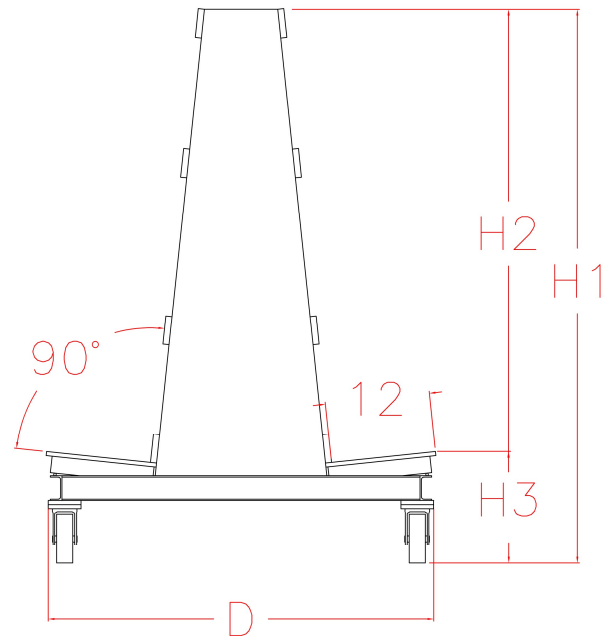


### Standard Payload 2000 lbs

Model #	Width	Depth	H1	H2	H3	Ledge Width	Casters	Flooring	Max Payload	Ship Wt.
202-6	72	48	68	84	13-1/2	12	6	plywood	2000 lbs	340 lbs
202-8	96	48	68	84	13-1/2	12	6	plywood	2000 lbs	380 lbs
202-10	120	48	68	84	13-1/2	12	6	plywood	2000 lbs	430 lbs

### Heavy Duty Payload 4000 lbs (larger 8 casters, enhanced structural framing)

Model #	Width	Depth	H1	H2	H3	Ledge Width	Casters	Flooring	Max Payload	Ship Wt.
202-6HD	72	48	70-1/2	84	16	12	8	plywood	4000 lbs	420 lbs
202-8HD	96	48	70-1/2	84	16	12	8	plywood	4000 lbs	460 lbs
202-10HD	120	48	70-1/2	84	16	12	8	plywood	4000 lbs	510 lbs



Shipping – Pallet LTL

Upon arrival customer bolts on casters.

## A-Frame Glass Storage - Model 303

Typical Use: ideal for tall glass sheet storage  
 Mobile – on casters

- cart width 32 or 48
- cart length 8 ft, 10 ft
- decking - HDPE over plywood
- vertical slats 1 x 4 yellow pine
- steel construction, fully welded
- design payload 2000 lbs
- mobile with 6 casters, (2-rigid, 2-swivel w/ locks)
- paint selection (PST green or safety blue)
- custom color fee applies to special request

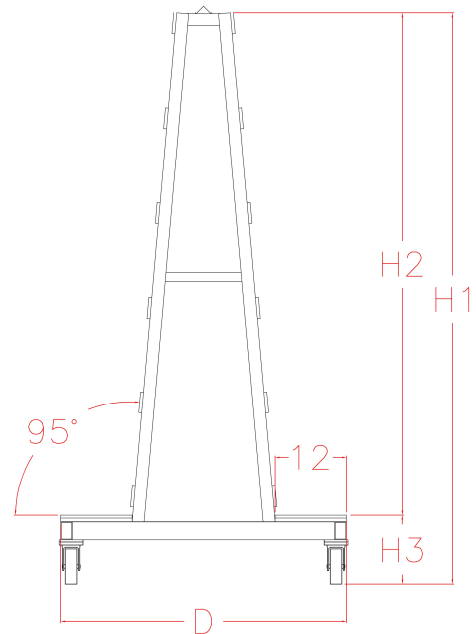


Standard Payload 2000 lbs

Model #	Width	Depth	H1	H2	H3	Ledge Width	Casters	Flooring	Max Payload	Ship Wt.
303-32-8	96	32	97	84	11-5/8	12	6	HDPE	2000 lbs	340 lbs
303-48-8	96	48	97	84	11-5/8	12	6	HDPE	2000 lbs	380 lbs
303-48-10	120	48	97	84	11-5/8	12	6	HDPE	2000 lbs	430 lbs

Heavy Duty Payload 4000 lbs (larger 8 casters, enhanced structural framing)

Model #	Width	Depth	H1	H2	H3	Ledge Width	Casters	Flooring	Max Payload	Ship Wt.
303-32-8	96	32	99-1/2	84	14-1/8	12	8	HDPE	4000 lbs	390 lbs
303-48-8	96	48	99-1/2	84	14-5/8	12	8	HDPE	4000 lbs	430 lbs
303-48-10	120	48	99-1/2	84	14-5/8	12	8	HDPE	4000 lbs	460 lbs



Shipping – Pallet LTL

Fully assembled

Upon arrival customer bolts on casters.

## Specialty Glass Racks



Double Decker Glass Storage



Guide Roller Deck



Horizontal Glass Storage



Guide Roller Harp Rack

### Custom Glass Racks / Special Request

PST performs all rack fabrication within our Dallas, Texas facility. We offer made-to-order fabrication services. Based on customers provided information such as – pictures, drawings or simply sketches, a quotation for concept can be provided. Please provide the size, thickness, and number of glass sheets for a specific rack.

Email rack request to: [info@pstmfg.com](mailto:info@pstmfg.com)

## Replacement Parts

1	2	3	4	5	6	7	8	9	10	11	12	13	14	15	16	17	18	19	20	21	22	23	24	25
26	27	28	29	30	31	32	33	34	35	36	37	38	39	40	41	42	43	44	45	46	47	48	49	50
51	52	53	54	55	56	57	58	59	60	61	62	63	64	65	66	67	68	69	70	71	72	73	74	75
76	77	78	79	80	81	82	83	84	85	86	87	88	89	90	91	92	93	94	95	96	97	98	99	100

### Harp Rack Number Strips

- Replacement Rack Number Strips
- Custom fit number plates for your existing racks
- Floor casters (1200 lb & 2000 lb capacity)
- Non-scratch tubing (for 5/16 & 1/4 Rods)
- Slot routed floor deck (PVC & HDPE)

